



Bulletin nº 4
São João da Madeira, 30.09.2020

Organising Committee

Approved by FIA in 01/10/2020

SUPPLEMENTARY REGULATIONS

The following points of the supplementary regulations of the event are replaced by the following:

1. PROGRAMME – IMPORTANT INFORMATION

Administrative and Technical Checks: Saturday, 03 October 2020 – 09h30/**13h30** – Jardins Palácio Marquês de Pombal, Rua do Aqueduto, Oeiras – Portugal

Prize – Giving Ceremony Attendance awards: Saturday, 03 October 2020 – 21h00 – Jardins Palácio Marquês de Pombal, Rua do Aqueduto, Oeiras

Prize – Giving Ceremony PRIO CUP: Sunday, 04 October 2020 – 22h00 – Jardins Palácio Marquês de Pombal, Rua do Aqueduto, Oeiras

Prize – Giving Ceremony: Monday, 05 October 2020 – **15h00** – Jardins Palácio Marquês de Pombal, Rua do Aqueduto, Oeiras

3. OFFICIALS

a. Stewards

Chairman of the Panel of Stewards: Mr. Rafaelle Pellilo (Appointed by the FIA)

Steward (01): Eduardo Carpinteiro Albino

Steward (02): Luís Caramelo

Secretary of Stewards: Ana Almeida (new)

d. Deputy Clerk of the Course: ~~Gonçalo Pereira~~

f. FIA Technical Delegate: ~~Mr. Mario Bonifacio~~ Mr. Carlos Funes (Appointed by the FIA)





l. Doctors:

• ~~Mariana Santos~~

• Gisela Santos



CHANGE OF ROAD BOOK

Pág 30 e Pág 44:

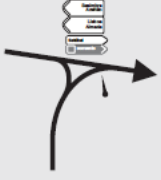
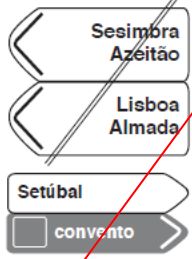




Distanc.		Direction / Direção	Information / Informação	Distanc. Regress.
Total	Par.			
18,87	0,18	 13	<ul style="list-style-type: none"> <input type="checkbox"/> Lagoa Azul <input type="checkbox"/> Penha Longa <input type="checkbox"/> hotel <input type="checkbox"/> golf <input type="checkbox"/> ténis squash 	1,70
19,46 19,76	0,59 0,89	 14		1,11 0,81
20,57	1,11 0,81	 15	 SS2 N 38°45'28.63" W 9°26'21.83"	0,00

SECCÃO 1


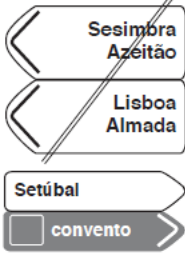




Pág 48: Fig 5, 6

Distanc.		Direction / Direcção	Information / Informação	Distanc. Regress.	SECCÃO 1
Total	Par.				
3,459 3,649	0,481 0,671	 5		17,081	
4,503	1,044 0,854	 6		16,037	

Pág 80:

Distanc.		Direction / Direcção	Information / Informação	Distanc. Regress.
Total	Par.			
6,957	2,418	 5		65,603
7,000	0,043	 6		65,560
9,735	2,735	 7		62,825
11,000	1,265	 8		61,560

SECÇÃO 2

Distanc.		Direction / Direcção	Information / Informação	Distanc. Regress.	SECCÃO 2
Total	Par.				
6,957	2,418	 5		16,663	
7,067	0,110	 6		16,553	
9,735	2,668	 7		13,885	
11,000	1,265	 8		12,620	